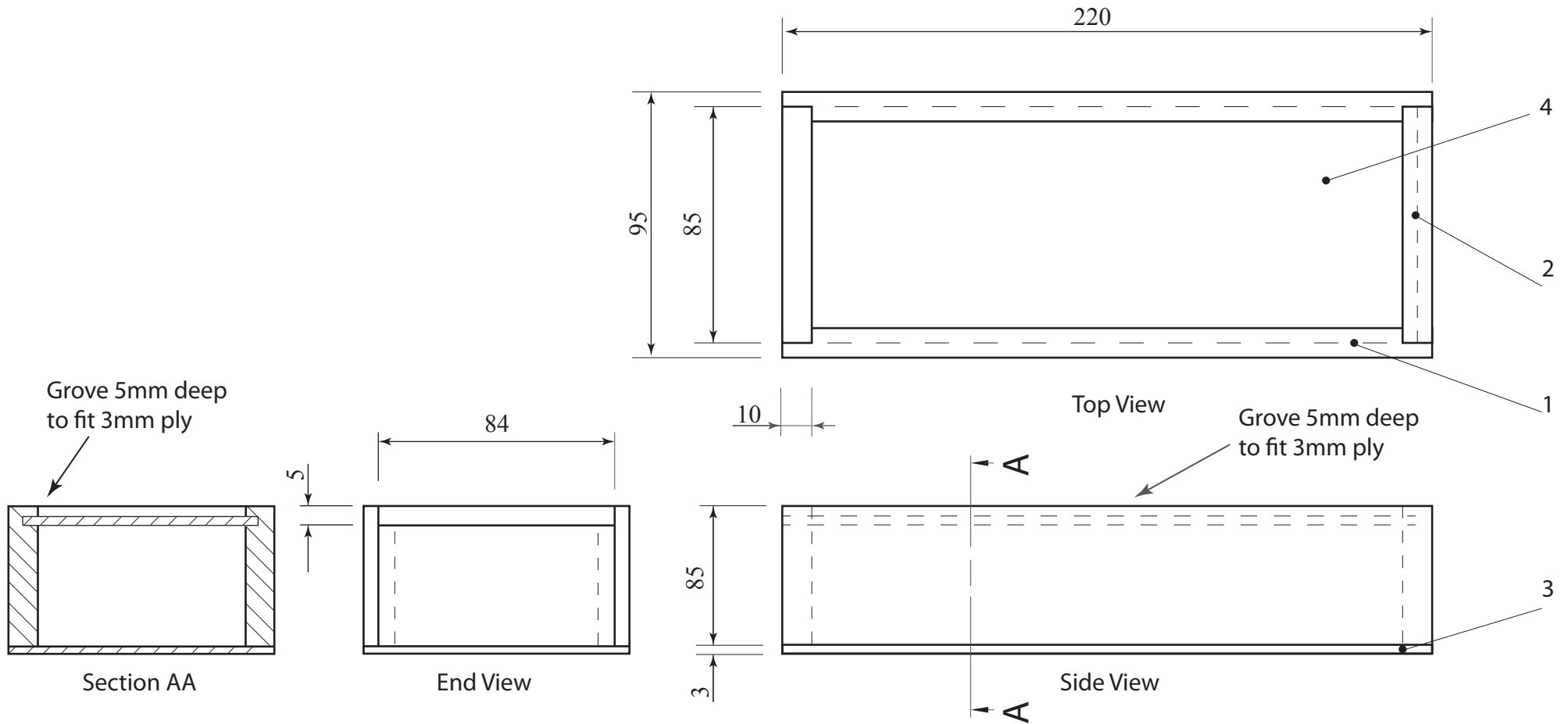


# Pencil Box Job Sheet



	Description	Required	Length	Width	Thickness
1	Sides	2	220	50	10
2	Ends	2	85	50	10
3	Base	1	220	95	3
4	Sliding Lid	1	210	84	3

